



Vent Sizing Worksheet Spray Dryer, Bustle Type

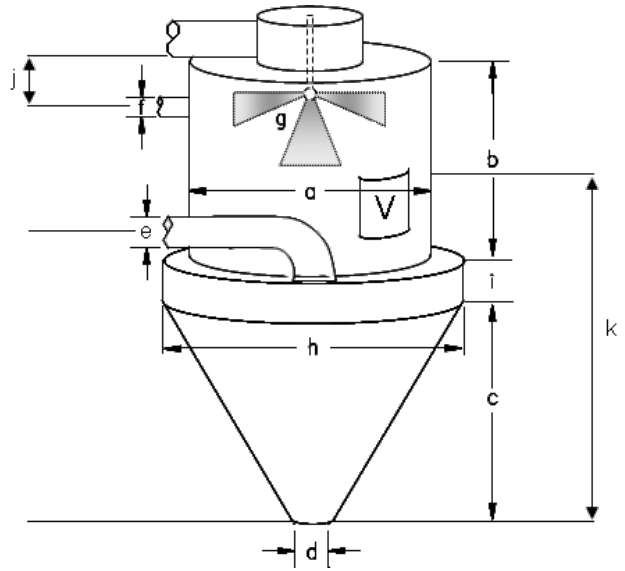
704 South 10th Street • P.O. Box 610 • Blue Springs, MO 64015-4263 • (816) 229-3405 • Fax (816) 228-9277

Company _____
Address _____

Project # _____

Contact _____
Phone _____
Fax _____
e-mail _____

Process	
Maximum positive pressure	
Maximum vacuum	
Inlet temperature	
Exhaust temperature	
Ambient temperature	
Airflow	
Reduced Explosion Pressure (P_{red})	
Enclosure location	<input type="checkbox"/> indoors <input type="checkbox"/> outdoors
Combustible material (advise if hybrid)	
Name	
K_{St}	bar*m/sec
P_{max}	barg
Enclosure	
Application	
Tag/I.D. Number	
Manufacturer	
Model Number	
a	Major diameter
b	Straight wall
c	Conical-height
d	Discharge diameter
e	Exhaust, quantity. & diameter
f	Recycle material diameter
g	Spray nozzle <input type="checkbox"/> centrifugal <input type="checkbox"/> conical
h	Bustle diameter
i	Bustle height
j	Centerline to recycle duct
k	Vent elevation



Explosion Vent			
Preferred Vent Model		Alternate Vent	
Preferred P_{Stat}		Alternate P_{Stat}	
Preferred Size		Alternate Size	
Preferred Quantity		<input type="checkbox"/> Explosion Venting - Control the Explosion	

Explosion Vent Discharge Duct (If Applicable)		Pressure.
Overall Length		Relieves explosion overpressure within process enclosure before destructive levels of pressure are reached.
Number of Elbows		
Weather Cover	<input type="checkbox"/> yes <input type="checkbox"/> no	

Comments	
	<input type="checkbox"/> Flameless Venting - Extinguishes the flame from a vented explosion, where it could ignite secondary explosions or endanger personnel. Can Be Used When Vent Discharge Ducts Are Not Possible or Economical.