



Vent Sizing Worksheet

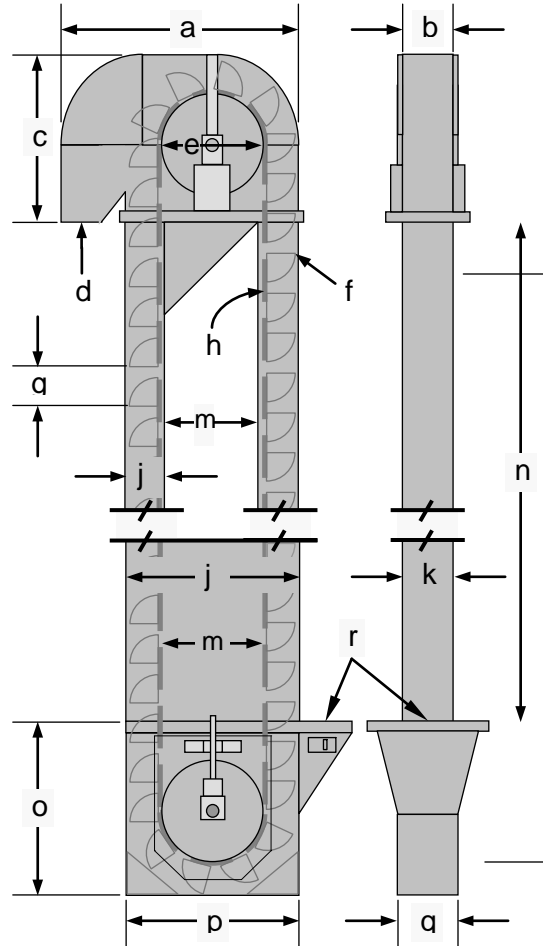
Bucket Elevator

704 South 10th Street • P.O. Box 610 • Blue Springs, MO 64015-4263 • (816) 229-3405 • Fax (816) 228-9277

Company _____
Address _____
Project # _____

Contact _____
Phone _____
Fax _____
e-mail _____

Process	
Maximum positive pressure	
Maximum vacuum	
Operating temperature	
Ambient temperature	
Airflow	
Reduced Explosion Pressure (P_{red})	
Enclosure location	<input type="checkbox"/> indoors <input type="checkbox"/> outdoors
If indoors - distance to exterior wall	
Combustible material (advise if hybrid)	
Name	
K_{St}	bar*m/sec
P_{max}	barg
Enclosure	
Application	
Tag/I.D. Number	
Manufacturer	
Model Number /Capacity	
a	Head length
b	Head width
c	Head height
d	Spout: opening length & width, distance to branch or enclosure
e	Pulley diameter
f	Bucket size: length, width & depth
g	Bucket spacing
h	Belt width
	Belt speed
	Casing style <input type="checkbox"/> double <input type="checkbox"/> single
j	Casing side
k	Casing face
m	Casing inside
n	Casing height
o	Boot height
p	Boot width
	Dust pickups: Locate & dia.
q	Boot length
r	Feed: opening length & width, distance to branch or enclosure



- Explosion Venting** - Control the Explosion Pressure. Relieves explosion overpressure within process enclosure before destructive levels of pressure are reached
- Flameless Venting** - Extinguishes the flame from a vented explosion, where it could ignite secondary explosions or endanger personnel. Can Be Used When Vent Discharge Ducts Are Not Possible or Economical.

Explosion Vent			
Preferred Vent Model		Alternate Vent Model	
Preferred P_{Stat}		Alternate P_{Stat}	
Preferred Size		Alternate Size	
Preferred Quantity			

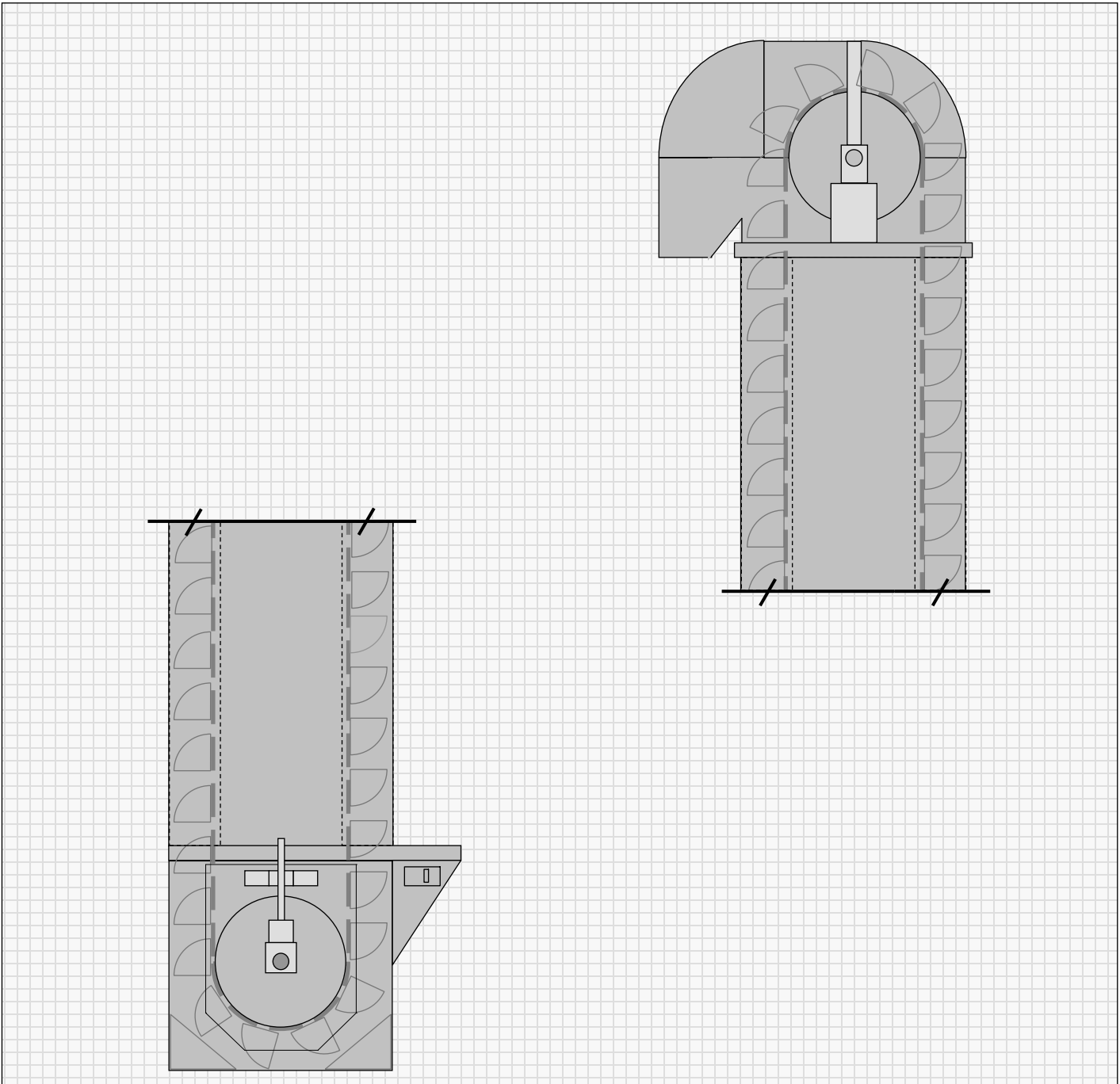


Vent Sizing Worksheet

Bucket Elevator

704 South 10th Street • P.O. Box 610 • Blue Springs, MO 64015-4263 • (816) 229-3405 • Fax (816) 228-9277

Explosion Vent Discharge Duct (If Applicable)	
Overall Length	
Number of Elbows	
Weather Cover	<input type="checkbox"/> yes <input type="checkbox"/> no
Comments:	





704 South 10th Street • Blue Springs, Missouri 64015-4253
(816) 229-3405 • Fax (816) 228-9277
www.fike.com • e-mail: fmpsales@fike.com

Vent Sizing Worksheet
Bucket Elevator